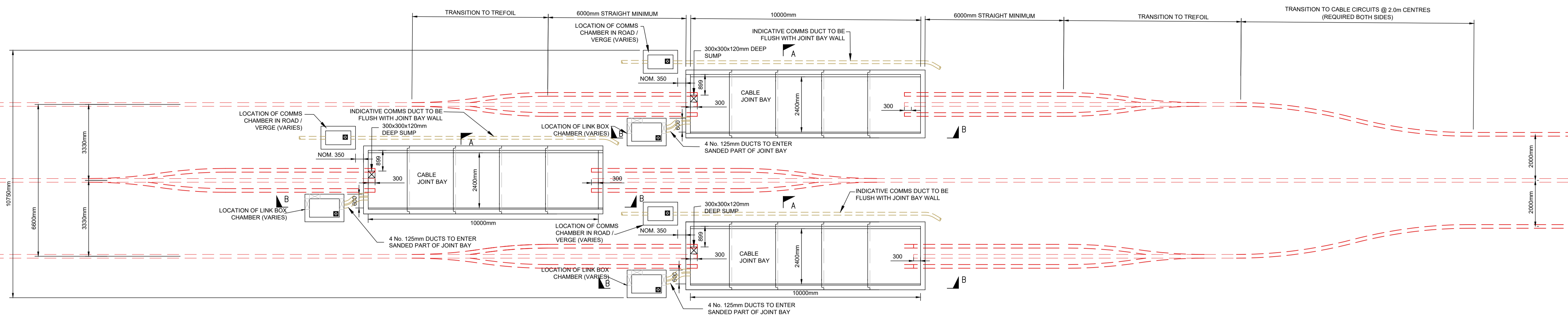
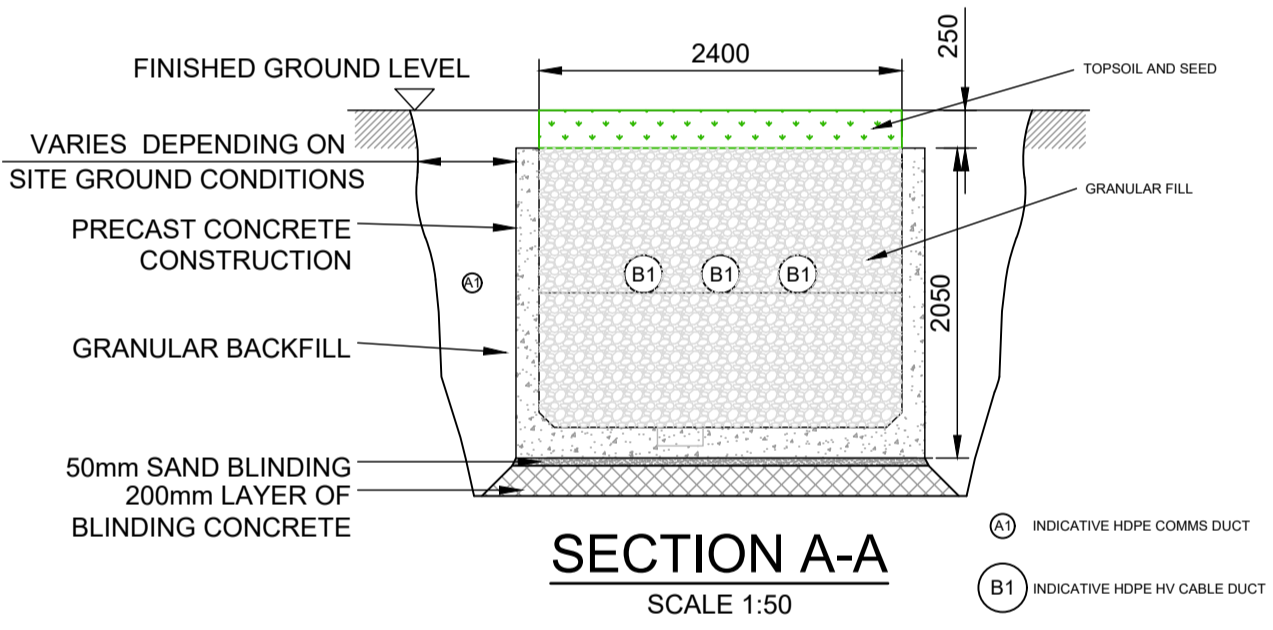


- NOTES**
1. JOINT BAY INDICATIVE ONLY. FINAL JOINT BAY TO BE DESIGNED IN ACCORDANCE WITH CHOSEN CABLE MANUFACTURERS REQUIREMENTS.
 2. ALL DIMENSIONS IN MILLIMETRES UNLESS OTHERWISE NOTED.
 3. ALL DIMENSIONS ARE INDICATIVE.
 4. 3no. JOINT BAYS SHOWN FOR CLARITY. THESE REPRESENT 3 CIRCUITS OF THE PROPOSED DEVELOPMENT ALONG THIS SECTION OF THE CABLE ROUTE. UP TO 6no. JOINT BAYS ARE EXPECTED AT EACH CABLE JOINTING LOCATION

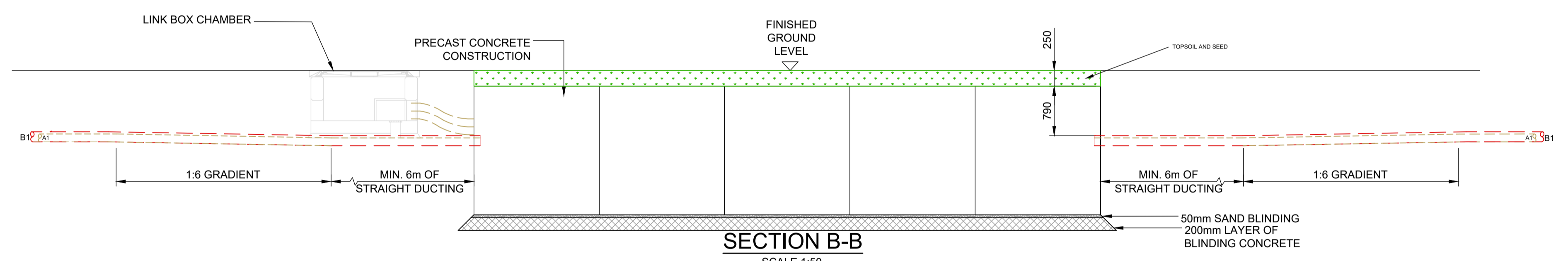


INDICATIVE JOINT BAY ARRANGEMENTS

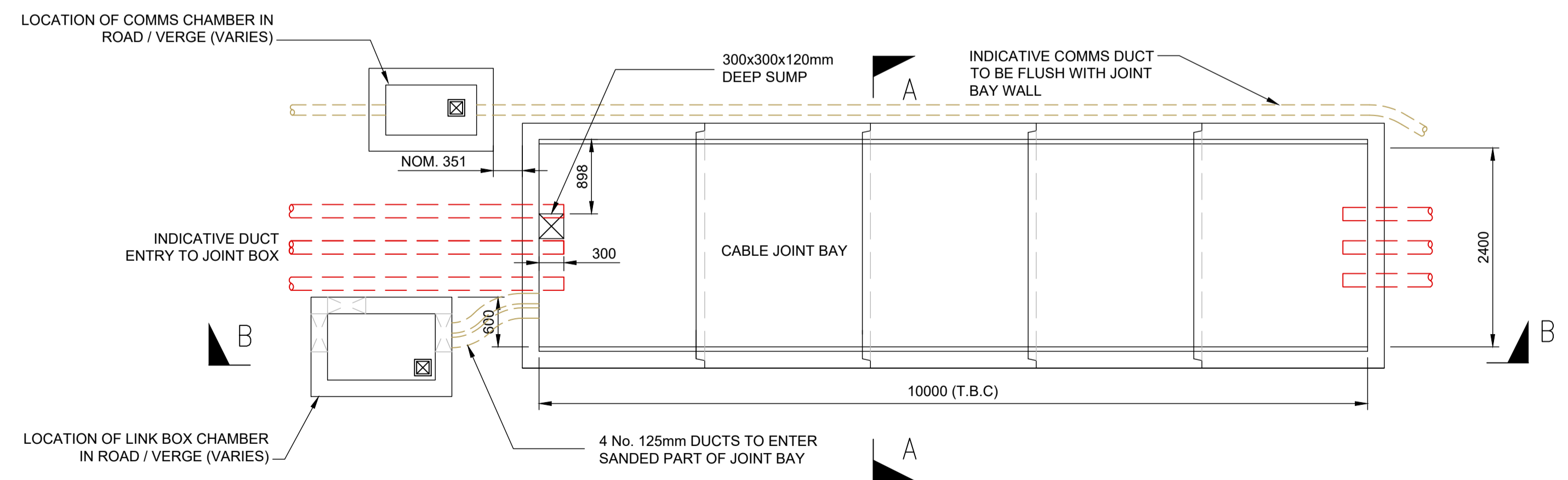
SCALE 1:100



SECTION A-A
SCALE 1:50

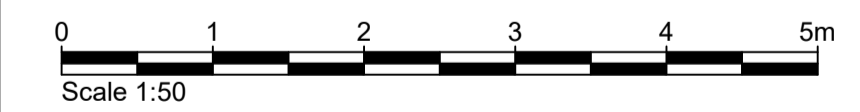
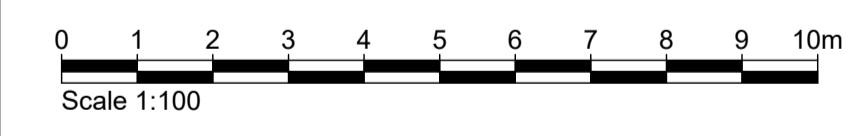


SECTION B-B
SCALE 1:50



PLAN VIEW (SINGLE CIRCUIT)
SCALE 1:50

PLANNING DRAWING



02	08/03/23	ISSUED FOR PLANNING.	DL	BSGJD	CM
01	22/02/23	ISSUED FOR PLANNING.	DL	BSGJD	CM
Rev	Date	Status	Drawn	Checked	Appd



Project		BERWICK BANK WIND FARM	
Title		INDICATIVE 400KV CABLE JOINT BAY ARRANGEMENT	
Status	Scale	ISSUED FOR PLANNING	AS SHOWN
SSE Drawing number	Sheet No.	Revision	
LF000010_DEV-PLN-168	001 OF 001	02	